

# Zap™ Strobe

FL-45P, FL-75P, FL-150P



*Have a Blast with Zap  
The Powerfully Stylish Strobe*



**CAUTION!**

Risk of electric shock  
Read instructions before installing  
or connecting to power

Copyright 2002 Geni Electronics Co., Ltd.  
Product specifications may be subject to change.  
Please visit <http://www.geni.com.tw> for updates.

# Congratulations!

Thank you for buying a Geni product, and congratulations! You have one of the best, most innovative strobe lights around.

With the Geni mark, you are ensured of high quality and reliability for years to come. You can rely on Geni Electronics Co., Ltd., for more excellent lighting products. We design and manufacture strobes, effects, and scanners. And we create new items every day.

To keep abreast of it all, visit our web site: [www.geni.com.tw](http://www.geni.com.tw). Or ask your Geni dealer. We work closely to keep you -- our customer -- satisfied.

You can get some of the best quality, best priced products on the market from Geni. So next time, look for Geni products, and get some of the best entertainment lighting products around -- again!

Main Office/Factory:  
Geni Electronics Co., Ltd.  
No. 12, Alley 12, Lane 732  
Chung Cheng Road, Yung Kang  
Tainan Hsien, Taiwan  
Tel: 886-6-253-8513  
Fax: 886-6-253-8685

Showroom:  
Geni Electronics Co., Ltd.  
Taipei World Trade Center, Room 3A-04  
No. 5, Section 5, Hsin Yi Road,  
Taipei, Taiwan  
Tel: 886-2-2722-2910  
Fax: 886-2-2722-2918



Thank you!

## Maintenance

Always disconnect power and wait five minutes before servicing. Wipe strobe body clean with a damp towel. Use a mild glass cleaner and towel to clean the lens and interior reflector as needed. Do not dampen electronic parts, lamp or surrounding material. Do not use powerful solvents to clean the lens or body: discoloration or distortion may result.

## Product Specifications

Dimensions: 200mm diameter x 230mm length (not including bracket)  
Flash rate: Approximately 1 to 12 flashes per second (1-12 Hz)  
Remote trigger signal: 10VDC positive pulse  
Signal jack: 1/4inch (6.35mm) mono microphone jack  
FL-45P, FL-75P, FL-150P Fuse: TIA/20mm VDE  
Voltages available from manufacturer: 120V~60Hz; 230V~50Hz  
Note: The 230V~50Hz model can be used in 240V~50Hz environments.

Name: Zap™ Strobe FL-45P

Lamp: Geni ST-045 high output helical xenon strobe tube  
Weight: 1.25kgs (120V); 1.29kgs (230V); 1.36kgs (230V CE)

Name: Zap™ Strobe FL-75P

Lamp: Geni ST-075 high output helical xenon strobe tube  
Weight: 1.29kgs (120V); 1.33kgs (230V); 1.40kgs (230V CE)

Name: Zap™ Strobe FL-150P

Lamp: Geni ST-150 high output helical xenon strobe tube  
Weight: 1.33kgs (120V); 1.40kgs (230V); 1.47kgs (230V CE)



## Warning!

Follow standard precautions for all electronic products.

Disconnect from power source at least five minutes before removing lens cover or servicing. Electric charge remains briefly after unit is disconnected from electric power supply. Keep lens cover closed while operating.

Zap™ Strobes contain no user serviceable parts. Servicing must be conducted by qualified technicians only.

Keep away from fire. Keep flammable material away from unit. Do not operate in wet conditions or near liquids.

Keep air vents clear to avoid overheating. Never insert objects into air vents.

Strobe lamps emit bright light. Do not look directly at lamp when lit.

Disconnect mains power supply immediately if strobe falls or is struck. Have a qualified technician inspect for safety before operating.

Never remove warning or informative labels from the unit.

## About Zap™ Strobes

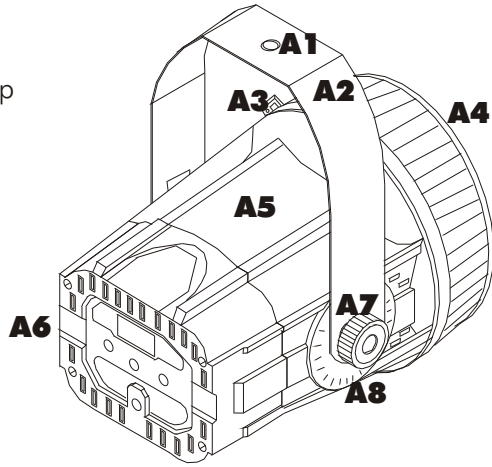
ZAP™ Strobes deliver a powerful flash -- with either manual or remote control. Their stylish, lightweight case is ideal for mobile light shows or installations. Zap™ Strobes come ready for use.

Zap™ Strobe models FL-45P, FL-75P and FL-150P are very similar in construction: Their main difference is varying lamp wattage.

1. Unpack your Zap™ Strobe. Zap™ Strobes come with lamp and bracket (A2) installed.
2. Geni products are inspected at the factory and shipped in perfect condition. If damage occurred in transport, please contact your Geni dealer immediately.
3. Use a 5-kg rated C-clamp to secure the strobe bracket (A2) to trussing. Allow one meter (three feet) of space for cooling. After adjusting strobe angle, tighten the bracket knob (A7). Strobe can be operated at any angle. The angle guide (A8), showing degrees of slant, is there for reference.

## Zap™ Strobe, Illustration A

- A1 - Hole for C-clamp
- A2 - Bracket
- A3 - Clasp
- A4 - Lens
- A5 - Strobe Body
- A6 - Back Panel
- (Details on Page 4)
- A7 - Bracket Knob
- A8 - Angle Guide



### Manual Control Operation

1. Make sure that power supply and product voltages are the same. Plug the Zap™ Strobe mains power cord into properly grounded socket.
2. Twist the SPEED knob(B4) on the back of the unit to set flash rate. Zap™ Strobes flash approximately from 1 to 12 times per second.

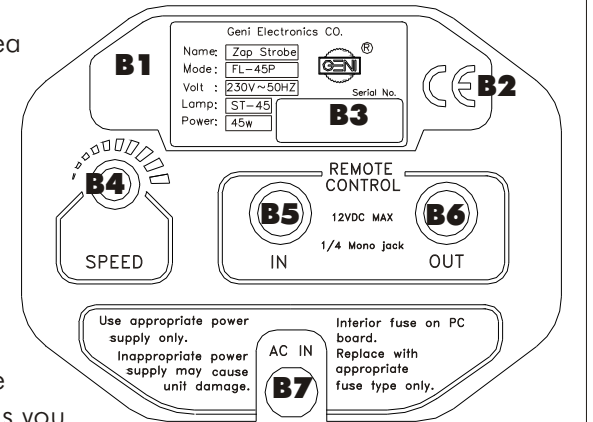
### Remote Control Operation

1. Link the strobe to an analog strobe controller, for example, Geni FL-01C or FL-34C, as follows:
  - A. Plug one end of a standard microphone cable with 1/4-inch mono jacks to the controller output socket.
  - B. Run your line to the first strobe. Insert the 1/4-inch mono jack into the Zap™ Strobe's IN (B5) socket. Insert another cable with 1/4-inch mono jacks into the first strobe unit's OUT (B6) socket.
  - C. Run your line to the next strobe, and make connections by repeating the process above. Observe controller instructions regarding the maximum number of strobes that can be linked.
2. Make sure that power supply and product voltages are the same. Plug the Zap™ Strobe mains power cord into properly grounded power source. Plug controller into power source.
3. Adjust strobe flash rate according to your controller instructions. On the Geni FL-01C controller, for example, simply turn on the POWER switch and twist the control knob to adjust flash rate.

## Back Panel, Illustration B

- B1 - Product Specification Area
- B2 - Certification Mark Area
- B3 - Serial Number Area
- B4 - Speed Adjustment Knob
- B5 - Signal IN Connection
- B6 - Signal OUT Connection
- B7 - Mains Power Line

Note: Look at the Product Specification Area to see which strobe version you have and to know which instructions you should follow.



### Lamp Replacement

- Strobe lamps in FL-45P, FL-75P and FL-150P have a life of at least 5 million flashes. Replace burnt-out strobe lamps in FL-45P, FL-75P and FL-150P as follows. Always use appropriate Geni ST-series replacement lamps.
1. Disconnect power source. Let unit cool five minutes.
  2. Use a Phillips-head screwdriver to remove the screw in the clasp that connects the lens (A4) to the strobe body (A5). While grasping the strobe body (A5), turn the lens (A4) clockwise. You will hear a click. Remove the lens.
  3. Grasp the burnt-out strobe lamp. Pull straight out. Discard old lamp properly. Keep away from children and animals.
  4. Cover your hands with lint-free gloves or cloth. Grasp the new strobe lamp tube. Insert its pins straight into the strobe lamp socket. Do not touch lamp tube with bare hands, as this will shorten the lamp life. Use rubbing alcohol and a lint-free cloth to wipe lamp tube clean if it is accidentally touched.
  5. Align the lens and body: A knob in the lens fits nicely into a slot in the body. Turn the lens counterclockwise on the body, bringing the screw hole on the clasp (A3) into place. Tighten the retaining screw into place.