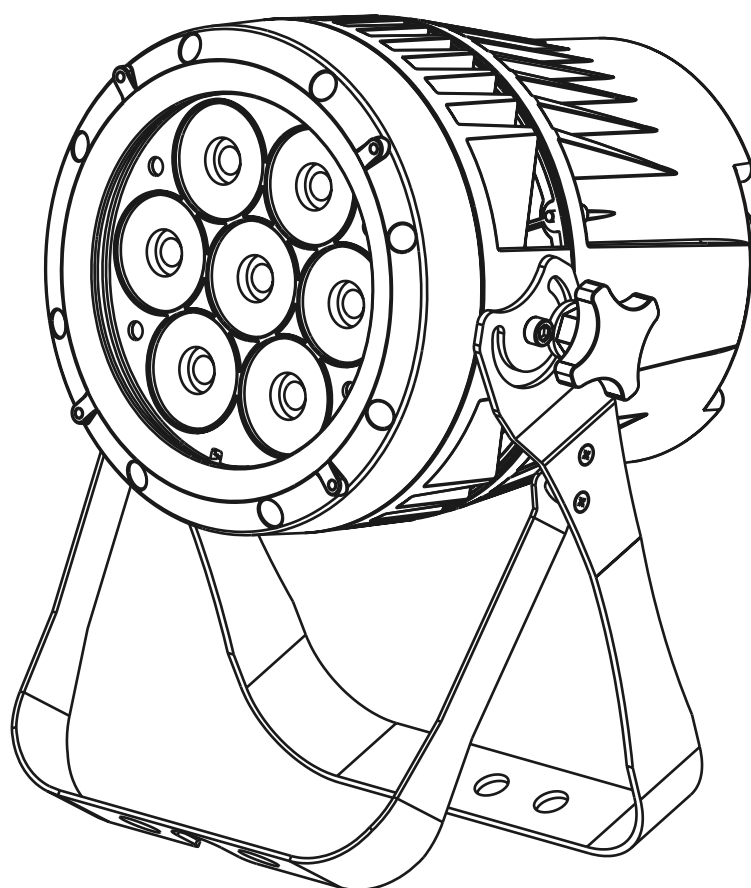


PRO BEAMER

RGBW - OUTDOOR

PRO BEAMER

RGBW - INDOOR



Operation Manual

CE

Version: 1.0

BriteQ[®]
LIGHT RESEARCH

T ABLE OF CONTENTS

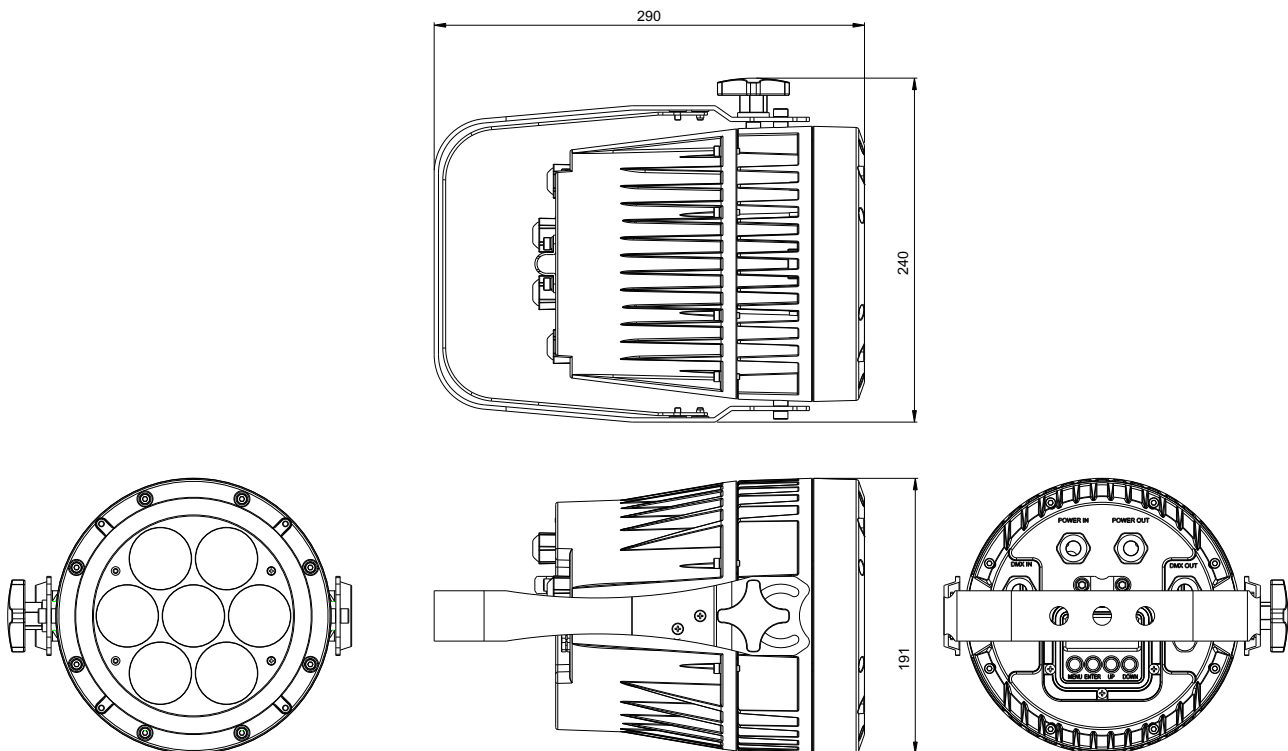
PART 1 PRODUCT (GENERAL)	1.
1.1--TECHNICAL SPECIFICATIONS.....	1.
1.2--SAFETY WARNING.....	2.
PART 2 INSTALLATION	3.
2.1--MOUNTING.....	3.
2.2--POWER CONNECTION.....	3.
PART 3 DISPLAY PANEL OPERATION	4.
3.1--BASIC.....	4.
3.2--MENU.....	5.
3.3--EDIT STATIC COLOUR.....	6.
3.4--ACTIVATING AUTO PROGRAMS.....	6.
3.5--RUN MODE.....	6.
3.6--DMX512 SETTINGS.....	7.
3.7--PERSONALITY.....	7.
3.8--EDITING CUSTOM PROGRAMS.....	7.
3.9--SPECIAL SETTINGS.....	8.
3.10--ACTIVATE THE PASSWORD.....	8.
3.11--BALANCE PARAMETERS AND CORRECTION MENU DISPLA.....	9.
PART 4 USING A DMX512 CONTROLLER	10.
4.1--BASIC ADDRESSING.....	10.
4.2--CHANNEL ASSIGNMENT.....	10.
PART 5 APPENDIX	14.
5.1--MAINTENANCE.....	14.

1 PRODUCT (GENERAL)

1.1 TECHNICAL SPECIFICATIONS

LED MODULE

Type	Model	Voltage	Operation Temperature	Weight	Dimensions 2 (mm)	Power (W)	IP
I	RGBW:12Wx7 INDOOR	AC100~240V 50/60Hz	-20~45	5.74	191x240x323mm	85	
II	RGBW:12Wx7 OUTDOOR			5.74	191x240x290mm	85	66



1.2 SAFETY WARNING

IMPORTANT

[ALWAYS READ THE USER MANUAL BEFORE OPERATION.]
[PLEASE CONFIRM THAT THE POWER SUPPLY STATED ON THE PRODUCT IS THE SAME AS THE MAINS POWER SUPPLY IN YOUR AREA.]

- This product must be installed by a qualified professional.
- Always operate the equipment as described in the user manual.
- A minimum distance of 0.5m must be maintained between the equipment and combustible surface.
- The product must always be placed in a well ventilated area.
- Always make sure that the equipment is installed securely.
- DO NOT stand close to the equipment and stare directly into the LED light source.
- Always disconnect the power supply before attempting maintenance.
- Always make sure that the supporting structure is solid and can support the combined weight of the products.
- The earth wire must always be connected to the ground.
- Do not touch the power cables if your hands are wet.

ATTENTION



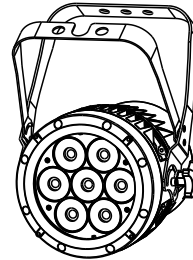
- This product left the place of manufacture in perfect condition. In order to maintain this condition and for safe operation, the user must always follow the instructions and safety warnings described in this user manual.
- Avoid shaking or strong impacts to any part of the equipment.
- Make sure that all parts of the equipment are kept clean and free of dust.
- Always make sure that the power connections are connected correct and secure.
- If there is any malfunction of the equipment, contact your distributor immediately.
- When transferring the product, it is advisable to use the original packaging in which the product left the factory.
- Shields, lenses or ultraviolet screens shall be changed if they have become damaged to such an extent that their effectiveness is impaired.
- It is important that the power cable is frequently inspected to ensure that there is no damage in any position. If the power cable is damaged in any way, it should be replaced by a qualified electrical technician.
- The lamp (LED) shall be changed if it has become damaged or thermally deformed.

2 INSTALLATION

2.1 MOUNTING

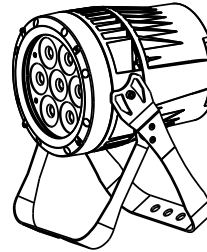
HANGING

The fixture can be mounted in a hanging position using the supporting bracket. The bracket should be secured to the mounting truss or structure using a standard mounting clamp. Please note that when hanging the unit a safety cable should also be used.



UPRIGHT

The fixture can be mounted in an upright or sitting position using the supporting brackets.



NOTE

The LED MODULE can be mounted at any angle and in any position. It is possible to further adjust the angle of the LED MODULE using the two adjustment knobs located on the side of the fixture.

2.2 POWER CONNECTIONS

@ 220V: 15 units may be connected in series

@120V: 7 units may be connected in series

Note:

If the signal cable is over 60m between the DMX512 controller and fixture or between two fixtures, then a DMX signal amplifier is needed as well.

3 DISPLAY PANEL OPERATION

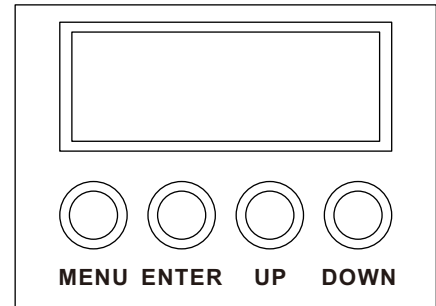
3.1 BASIC

【 MENU 】 scroll through the main menu or return to the main menu.

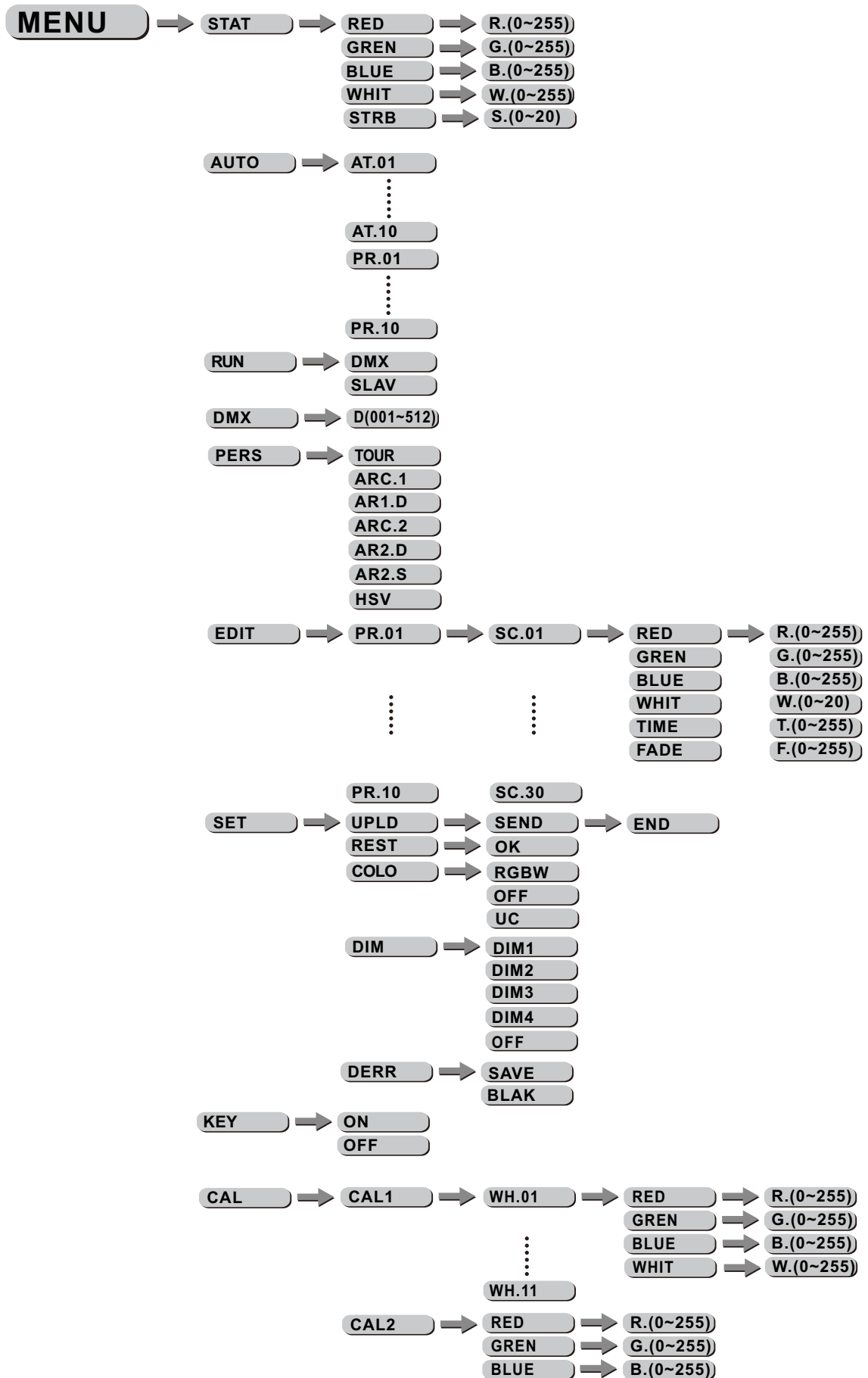
【 ENTER 】 enter the currently selected menu or confirm the current function value.

【 UP 】 scroll 'UP' through the menu list or increase the value of the current function.

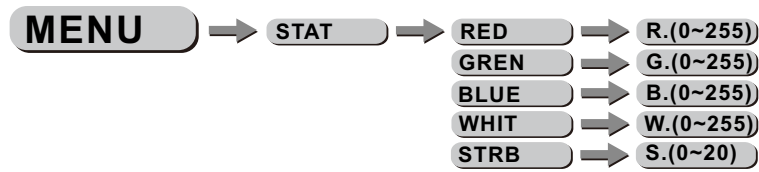
【 DOWN 】 scroll 'DOWN' through the menu list or decrease the value of the current function.



3.2 MENU



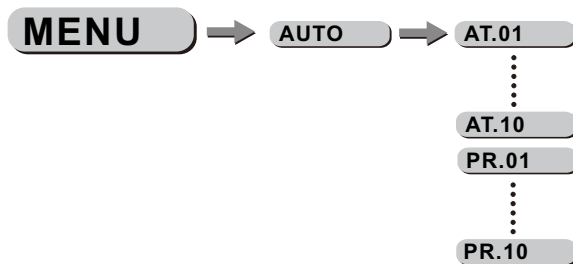
3.3 EDIT STATIC COLOUR



【STATIC COLOUR】

- Combine **【Red】** , **【Green】** , **【Blue】** and **【White】** to create an infinite range of colors (0-255)
- Set the value of the **【Strobe】** (0-20Hz)

3.4 ACTIVATING AUTO PROGRAMS



【AUTO】

- Select the target **【AUTO】** program and press **【ENTER】** .
- Programs **【AT.01】** to **【AT.10】** are fully pre-programmed and will not be altered by changes in **【EDIT】** mode.
- Programs **【PR.01】** to **【PR.10】** are fully pre-programmed and can be edited in **【EDIT】** mode.

3.5 RUN MODE



【RUN】

- Enter the **【RUN】** mode to set working mode.
- **【DMX】** mode is for using the DMX512 controller to control the fixtures.
- **【SLAV】** mode is for Master -- Slave operation.

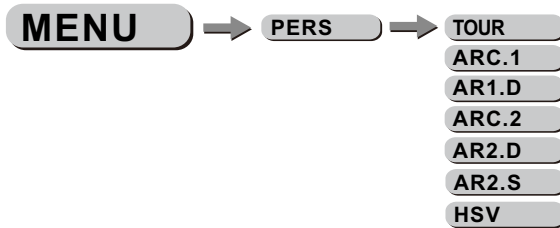
3.6 DMX512 SETTINGS



【DMX】

- Enter the **【DMX】** mode to set the DMX ADDRESS.

3.7 PERSONALITY



【PERSONALITY】

- Enter the **【PERSONALITY】** mode to select DMX mode: **【TOUR】** , **【ARC.1】** , **【AR1.D】** , **【ARC.2】** , **【AR2.D】** , **【AR2.S】** , **【HSV】** .

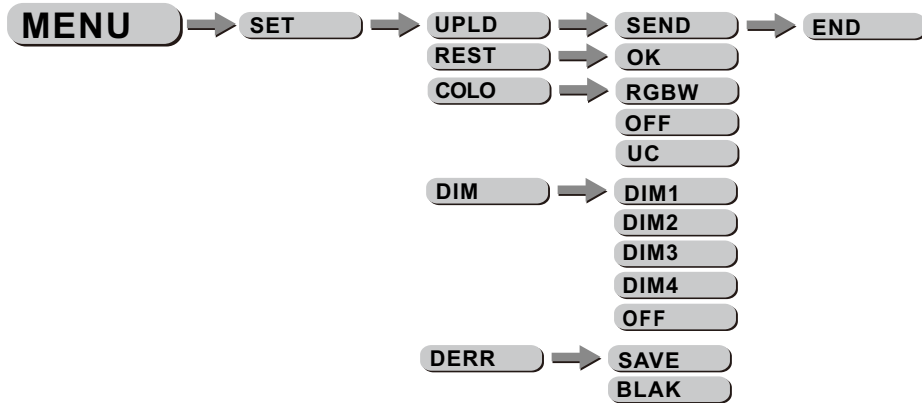
3.8 EDITING CUSTOM PROGRAMS



【EDIT CUSTOM】

- Enter the **【EDIT】** mode to edit the custom programs **【PR.01】** to **【PR.10】** .
- Each custom program has 30 steps that can be edited.
- Each step allows the creation of a scene using RED **【Red】** , GREEN **【Green】** , BLUE **【Blue】** , WHITE **【White】** , TIME **【Time】** & FADE **【Fade】** .

3.9 SPECIAL SETTINGS



【SETTING】

- Select **【UPLD】** to upload the custom programs from the current MASTER unit to the SLAVE units.
- In order to activate the upload function the password must be entered.
- Password is the same as the main access password.
- When uploading the MASTER and SLAVE units will display YELLOW.
- If an error occurs when uploading the MASTER and/or SLAVE units will display RED.
- On successful uploading of the custom programs the MASTER and SLAVE units will display GREEN.
- In order to reset custom modes to default values select **【REST】**.
- **【COLOR】** is for activate/unactivate the color calibration functions.

When **【RGBW】** is selected, on RGB = 255,255,255, the color is displayed as calibrated in CAL2 -- RGBW. When **【COLOR】** is set **【OFF】**, on RGB = 255,255,255, the RGB values are not adjusted and the output is most powerful.

When **【UC】** is selected, the RGB output are adjusted to a standard preset universal color which balances fixtures from different generations.

- **【DERR】** Choose **【Save】** in order to save the last DMX data incase of DMX signal error. Choose **【Black】** in order to blackout in case of DMX signal error.

3.10 ACTIVATE THE PASSWORD



【KEY】

- Enter the **【KEY】** mode to select whether the access password is on or off.
- When the fixture is set as PASS **【ON】**, after 30 seconds or turn on the fixture next time, the fixture will need an access password to enter the display menu control.

Note: The factory access password is **【UP】** + **【DOWN】** + **【UP】** + **【DOWN】**, then press **【ENTER】** to confirm the access.

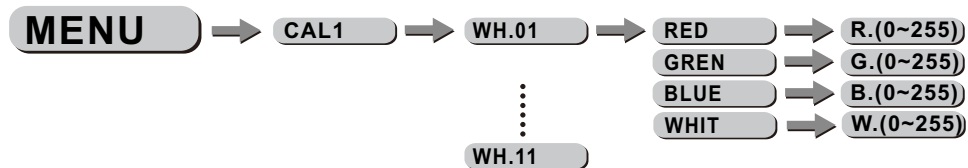
3.11 BALANCE PARAMETERS AND CORRECTION

MENU DISPLAY

Press **【MENU】** button to enter the password confirmation, to enter the correct password < UP + DOWN + UP + DOWN >

Key, press the **【MENU】** in, the correct password will enter show submenu

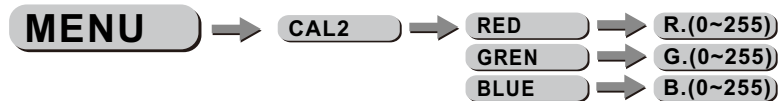
(1) WHITES SETTING



【CAL1】

- Enter the **【CAL1】** to select white color of different color temperature.
- There are 11 pre-programmed White colors can be edited by using **【Red】** , **【Green】** , **【Blue】** & **【White】** .

(2) WHITE BALANCE



【CAL2】

- Enter the **【CAL2】** to adjust the RGB parameter to make different whites.
- When the new setting is activated, the DMX controller choose RGB = 255,255,255 the white color will be made by the actual RGB values on the **【CAL2】** .

4 USING A DMX512 CONTROLLER

4.1 BASIC ADDRESSING

- Connect all of the units in series using standard DMX512 signal cable or the IP65 rated cable provided.
- Set the DMX512 address in the **【DMX】** menu.
- It is possible to have the same DMX address or independent addresses for each fixture.

4.2 CHANNEL ASSIGNMENT

- Note: This product have three DMX512 channel configuration: **【TOUR】**, **【Arc.1】**, **【Ar1.d】**, **【Arc.2】**, **【Ar2.d】**, **【Ar2.s】** and **【HSV】**

TOUR

CHANNEL	VALUE	FUNCTION
1	0 ↔ 255	MASTER DIMMER
2	0 ↔ 255	RED (or STEP TIME when CUS.01-CUS.10 in CH8 is activated)
3	0 ↔ 255	GREEN (or FADE TIME when CUS.01-CUS.10 in CH8 is activated)
4	0 ↔ 255	BLUE
5	0 ↔ 255	WHITE
6	0 ↔ 10	NO FUNCTION
	11 ↔ 30	RED100%/GREEN UP/BLUE0%
	31 ↔ 50	RED DOWN/GREEN 100%/BLUE0%
	51 ↔ 70	RED 0%/GREEN 100%/BLUE UP
	71 ↔ 90	RED 0%/GREEN DOWN/BLUE 100%
	91 ↔ 110	RED UP/GREEN 0%/BLUE100%
	111 ↔ 130	RED100%/GREEN 0%/BLUE DOWN
	131 ↔ 150	RED100%/GREEN UP/BLUE UP
	151 ↔ 170	RED DOWN/GREEN DOWN/BLUE 100%
	171 ↔ 200	RED100%/GREEN 100%/BLUE100%/WHITE 100%
	201 ↔ 205	WHITE1: 3200K
	206 ↔ 210	WHITE2: 3400K
	211 ↔ 215	WHITE3: 4200K
	216 ↔ 220	WHITE4: 4900K
	221 ↔ 225	WHITE5: 5600K
226 ↔ 230	WHITE6: 5900K	
231 ↔ 235	WHITE7: 6500K	

CHANNEL	VALUE	FUNCTION
6	236↔240	WHITE8: 7200K
	241↔245	WHITE9: 8000K
	246↔250	WHITE10: 8500K
	251↔255	WHITE11: 10000K
7	0↔10	STROBE NO FUNCTION
	11↔255	1~20Hz
8	0↔40	AUTO NO FUNCTION
	41↔50	AUTO 1
	51↔60	AUTO 2
	61↔70	AUTO 3
	71↔80	AUTO 4
	81↔90	AUTO 5
	91↔100	AUTO 6
	101↔110	AUTO 7
	111↔120	AUTO 8
	121↔130	AUTO 9
	131↔140	AUTO 10
	141↔150	PR. 01
	151↔160	PR. 02
	161↔170	PR. 03
	171↔180	PR. 04
	181↔190	PR. 05
	191↔200	PR. 06
	201↔210	PR. 07
211↔220	PR. 08	
221↔230	PR. 09	
231↔255	PR. 10	
9	0↔255	AUTO SPEED ADJUSTMENT When using CH8,AUTO01-AUTO10, this function activated
10	0↔9	DIMMER SPEED PRESET DIMMER SPEED FROM DISPLAY MENU
	10↔29	LINEAR DIMMER
	30↔69	NON LINEAR DIMMER 1 (fastest)
	70↔129	NON LINEAR DIMMER 2
	130↔189	NON LINEAR DIMMER 3
	190↔255	NON LINEAR DIMMER 4 (slowest)

Arc.1

CHANNEL	VALUE	FUNCTION
1	0 ↔ 255	RED
2	0 ↔ 255	GREEN
3	0 ↔ 255	BLUE

Ar1.d

CHANNEL	VALUE	FUNCTION
1	0 ↔ 255	MASTER DIMMER
2	0 ↔ 255	RED
3	0 ↔ 255	GREEN
4	0 ↔ 255	BLUE

Arc.2

CHANNEL	VALUE	FUNCTION
1	0 ↔ 255	RED
2	0 ↔ 255	GREEN
3	0 ↔ 255	BLUE
4	0 ↔ 255	WHITE

Ar2.d

CHANNEL	VALUE	FUNCTION
1	0 ↔ 255	MASTER DIMMER
2	0 ↔ 255	RED
3	0 ↔ 255	GREEN
4	0 ↔ 255	BLUE
5	0 ↔ 255	WHITE

Ar2.s

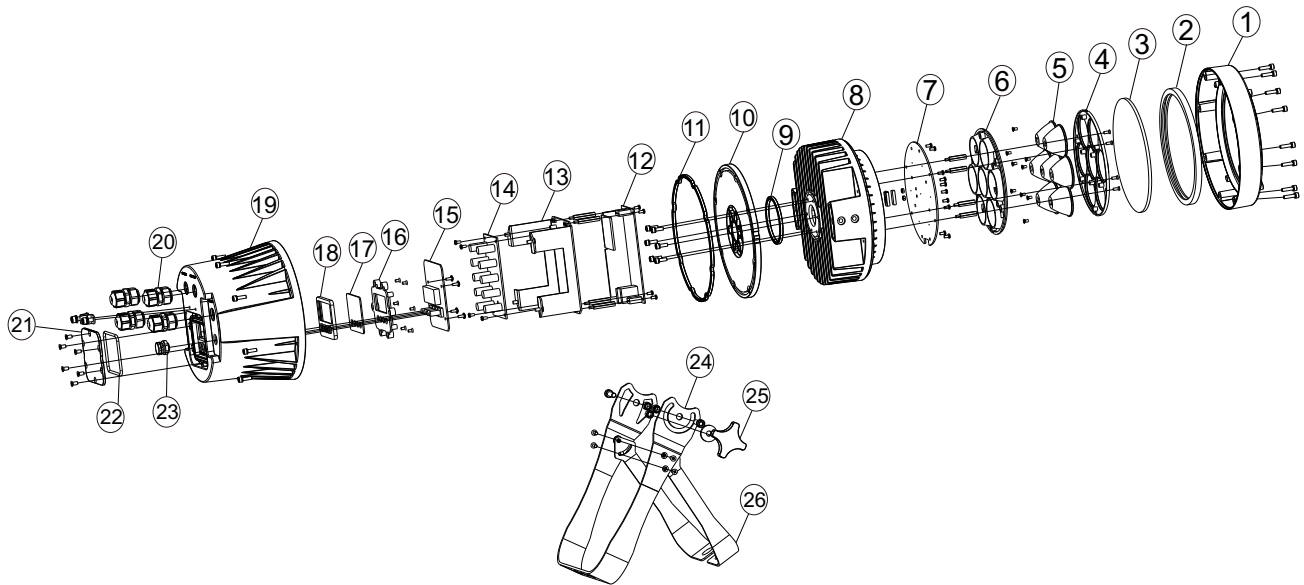
CHANNEL	VALUE	FUNCTION
1	0 ↔ 255	MASTER DIMMER
2	0 ↔ 255	RED
3	0 ↔ 255	GREEN
4	0 ↔ 255	BLUE
5	0 ↔ 255	WHITE
6	0 ↔ 255	STROBE

HSV

CHANNEL	VALUE	FUNCTION
1	0 ↔ 255	HUE(0~100%)
2	0 ↔ 255	SATURATION(0~100%)
3	0 ↔ 255	VALUE(0~100%)

5 APPENDIX

5.1 MAINTENANCE



No	ITEM
1	Head cover
2	Rubber seal
3	Clear glass
4	Capture lens plate
5	Lens
6	lens plate
7	Base plate
8	lamp holder
9	Base waterproof cover
10	Base board
11	Base waterproof cover
12	Power supply
13	Power supply support

No	ITEM
14	LED Drive PCB
15	Display PCB
16	Button board
17	Display lens
18	Button seal
19	Base
20	Waterproof button
21	Waterproof coverboard
22	Seal for display metal plate
23	Waterproof dustproof film
24	Abracket
25	Adjusting stainless steel knob
26	Secondary bracket